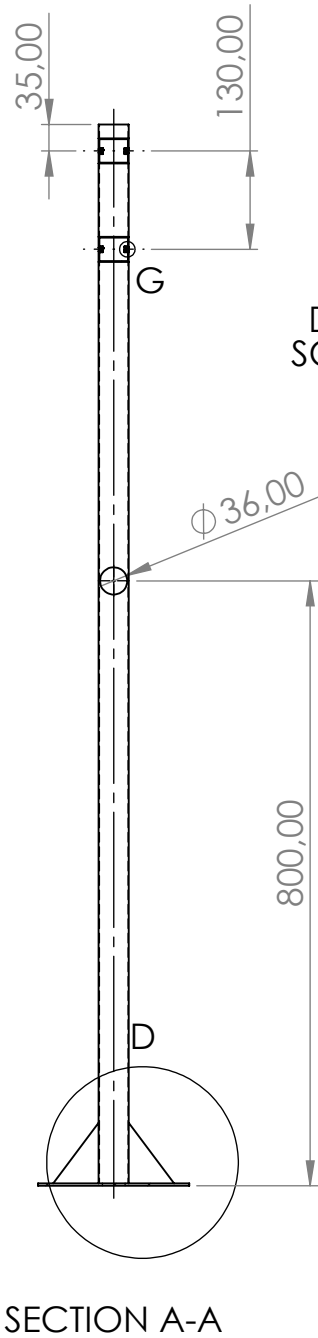
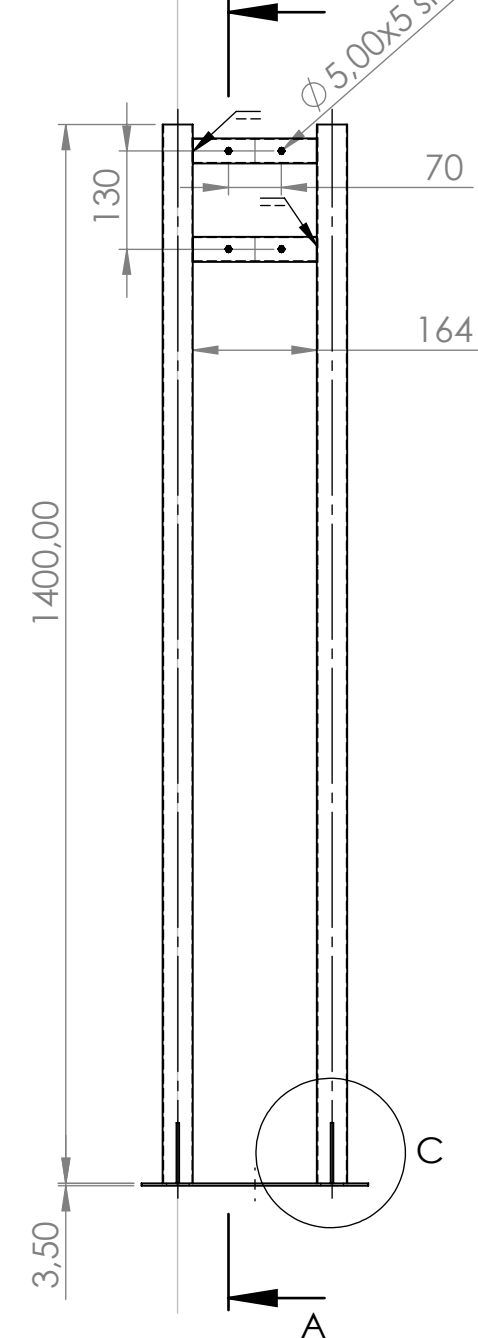
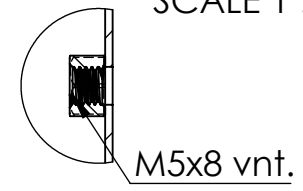


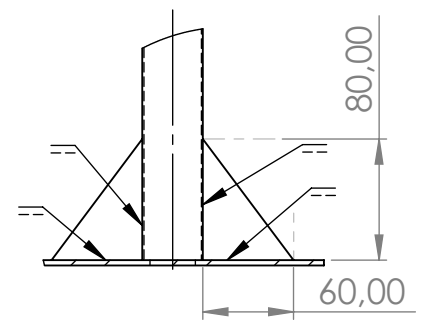
DETAIL B
SCALE 1 : 2



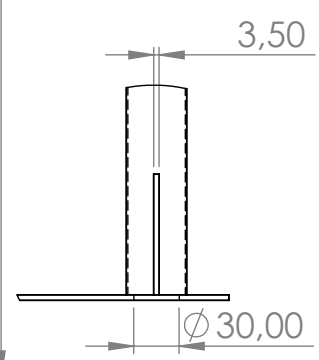
SECTION A-A



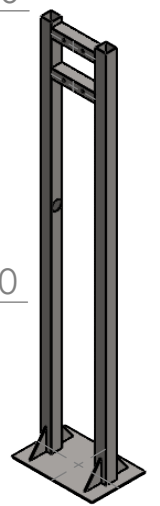
DETAIL G
SCALE 1 : 1



DETAIL D
SCALE 1 : 5



DETAIL C
SCALE 1 : 5



UNLESS OTHERWISE SPECIFIED:
DIMENSIONS ARE IN MILLIMETERS
SURFACE FINISH:
TOLERANCES:
LINEAR:
ANGULAR:

FINISH:

DEBURR AND
BREAK SHARP
EDGES

DO NOT SCALE DRAWING

REVISION

NAME	SIGNATURE	DATE
DRAWN		
CHK'D		
APPV'D		
MFG		
Q.A		

TITLE:	
MATERIAL:	AISI
DWG NO.:	STOVAS
WEIGHT:	
SCALE:	1:10
SHEET:	1 OF 1